

This product is ideal for felling trees and shrubs, preparing lumber, and splitting logs.

Before Use

We thank you very much for your purchase of this Machete. Please read this instruction carefully before starting of use.

Indication of basic mark

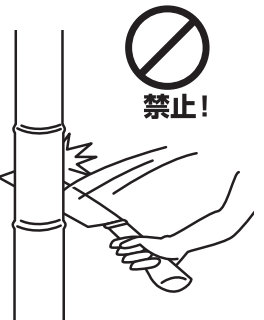
警告! Warning **禁止!** Prohibition **厳守!** Adherence

警告! To avoid an injury and product damage

- Don't touch it barehanded.
- Don't carry it having a blade part.
- Don't swing it around.
- Don't put it near fire.
- Keep it away from children.
- Do not use this product to cut metal.



● Please refrain from horizontally striking vertically rigid objects like bamboo. There is a danger the machete might snap back, causing injury or damage to the blade.



Preparations before the use

Before use, check that the blade is clean and the handle is not loose or broken.

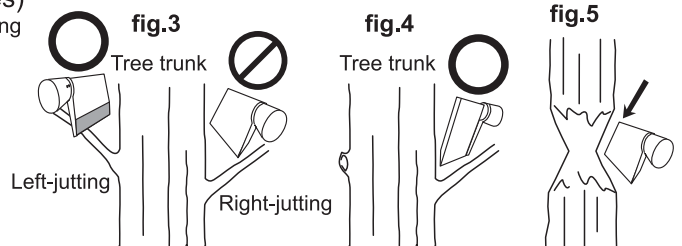
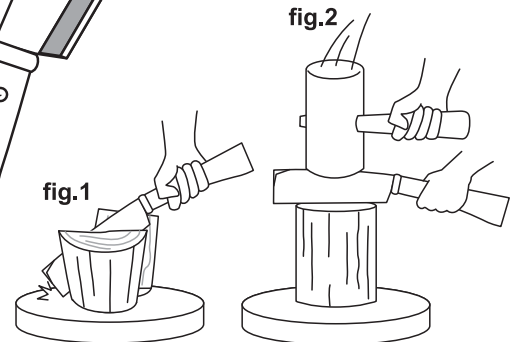
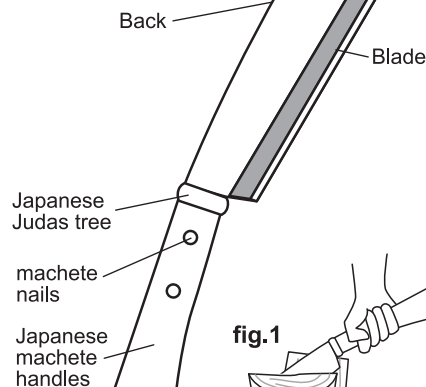
Start of Using

This machete is ideal for splitting, cutting, and shaving down wood. Note failure to use this product properly can result in injury and/or damage to the product.

Basic Usage (It is designed for right-handed.)

- (1) Splitting (Recommendations for double-edged blades)**
When cutting wood, etc., put your target on top of a wooden chopping block. (This will prevent injury and/or damage to the product in the even that you miss and strike the ground). (fig.1) If the wood does not split smoothly, use a wooden mallet to strike the back of the blade. (fig.2)
- (2) Cutting (Pruning, weeding, etc.)**
When pruning, position yourself so that the branch you want to cut is jutting out from the left side of the tree trunk. If you try to cut a right-facing branch with a single-edged blade, there is a risk that its shape will cause the blade to become wedged in the tree trunk. (fig.3) To cut a right-facing branch, walk around the tree so that the branch now faces left and make your cut. (fig.4)
- (3) Planing & Shaving (Recommendations for single-edged blades)**
When planing lumber or shaving down logs, you will get the best cut by aligning the blade diagonally with the grain of the wood. (fig.5)

Name of part



(1) To avoid injury and damage of the machete, don't twist or pry it, don't cut forcibly, don't cut the metals.

Maintenance

- (1) After use, wipe off water and dirt stuck to blade and handle with cloth.
- (2) After cleaning, put anti-rust oil on the blade.



One-point advice

After use, please apply rust prevention oil or machine oil periodically to prevent rust.



Don't use thinner or benzene



Specifications

Name: Traditional Japanese machete with sheath
Model No. C-1, C-2, C-3, C-5
Full length: C-1 320mm C-2 350mm C-3 370mm C-5 410mm
Handle size: C-1 160mm C-2 180mm C-3 180mm C-5 180mm
Blade size: C-1 150mm C-2 165mm C-3 180mm C-5 210mm
Weight: C-1 450g C-2 525g C-3 600g C-5 650g
Application: For pruning, planing, and splitting.
Materials: Blade: Cutlery Steel (Carbon Steel)
Handle: Oak